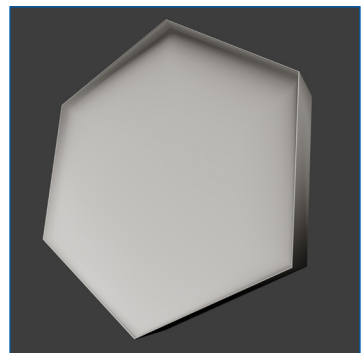
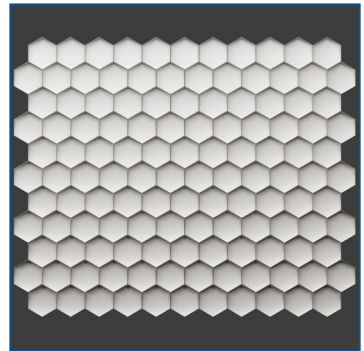
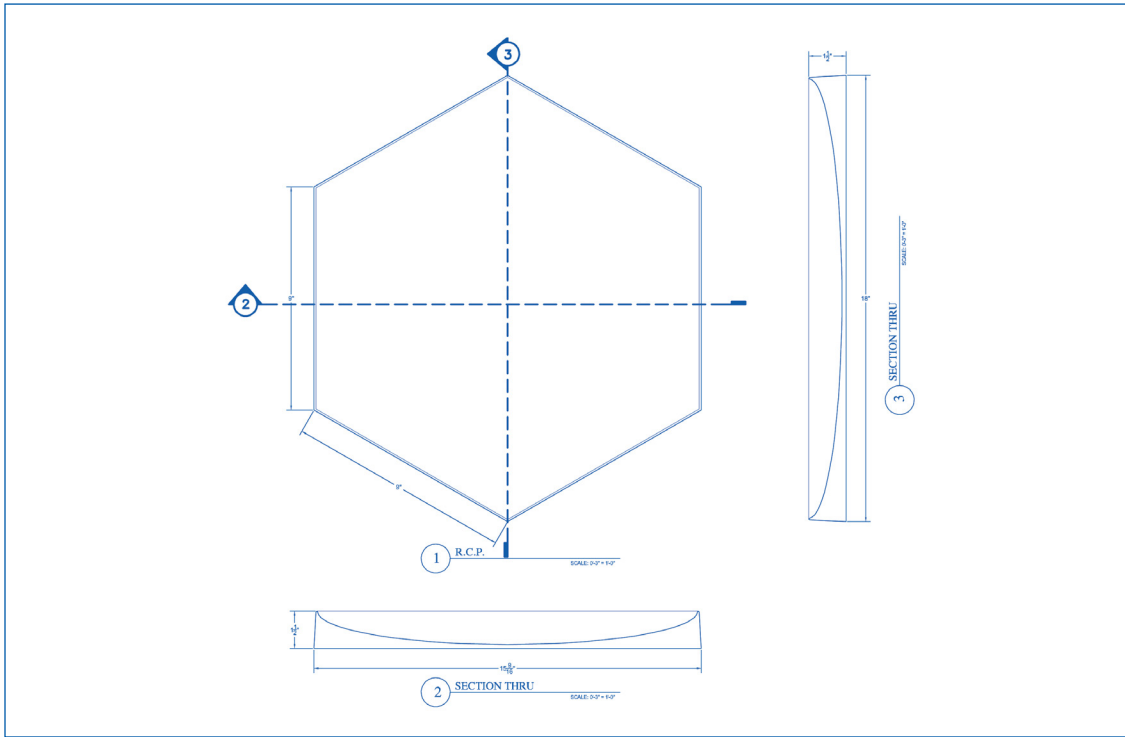
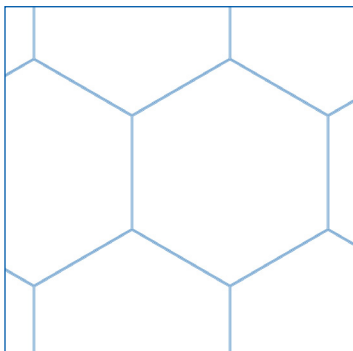


Hexa



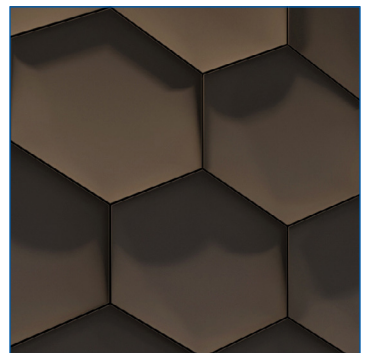
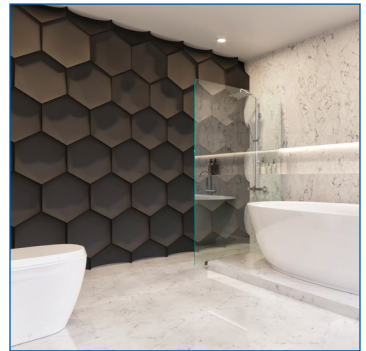
Pattern Options



The substrate to accept Wôl 3D Tiles shall be installed straight and true within 1/8" in 8 linear feet, and shall be free of obstructions and interference that prevents the correct positioning and attachment of Wôl 3D tiles.

Shell

Matrix	Alpha Gypsum Cement
Finish	Standard Unfinished, white to off white
Surface	Standard smooth
Density	105 lb/ft ²
Weight	1 1/2 – 2 lb/ft ²
Shell Thickness	3/16" nominal
Glass Fiber	5% typical
Flame Spread Index	0
Smoke Developed	0



Thermal/Sound Insulation Filler (Optional)

Density	0.5 – 0.6 lb/ft ²
Age Thermal Resistance (R-value at 1 inch)	3.43 ft ² h [°] F/BTU
Flame Spread Index	21
Smoke Developed	216